

Pizza Spatula Kits

Kit Features:

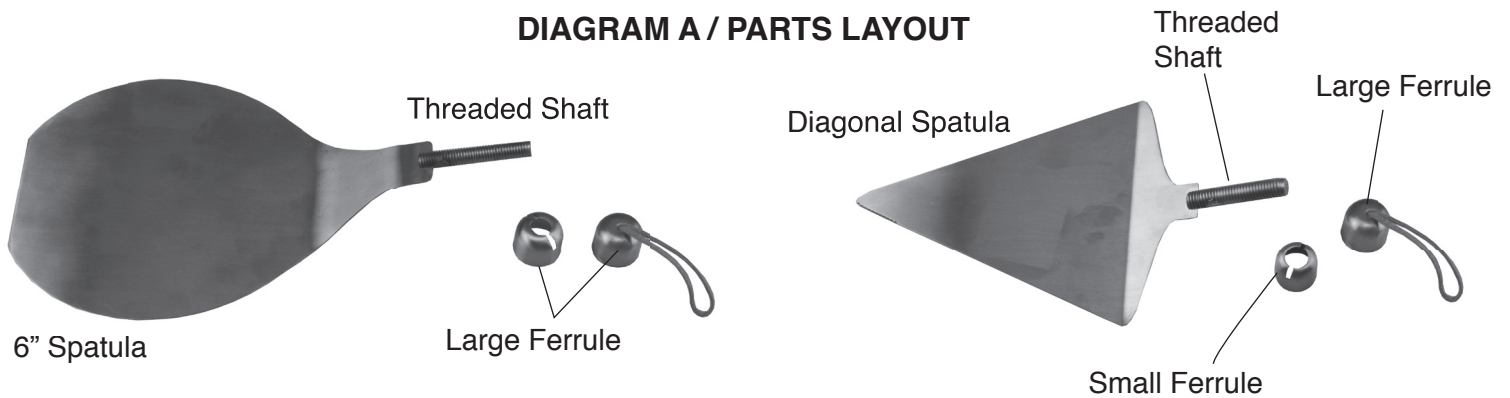
- Easy to turn into tapered handles
- Minimum parts - easy to assemble
- Stainless steel construction
- Overall Length: Triangle - 16-1/4"
- Round - 13-3/4"
- Wood Required: 1-1/4" x 7" Long



Required Accessories:

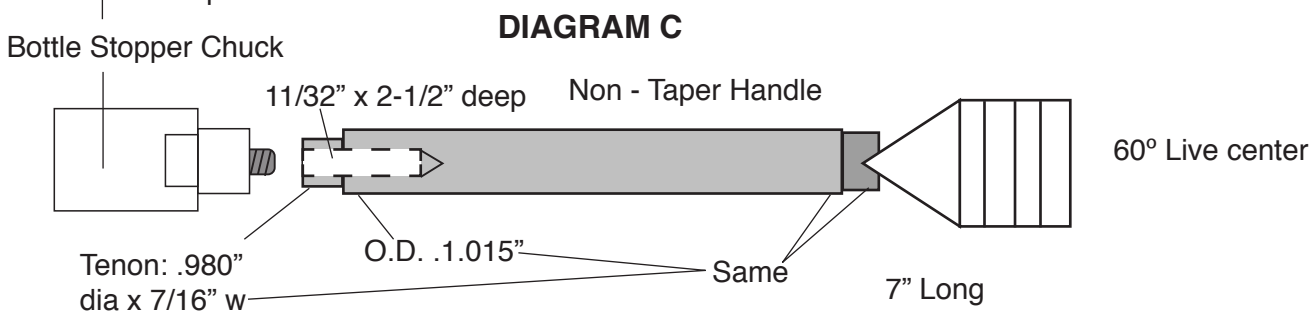
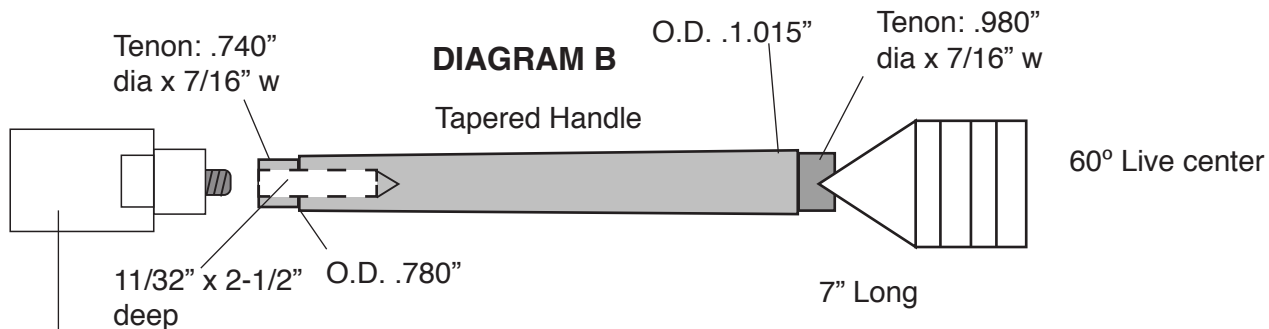
- Bottle Stopper Chuck System #PKBSYS
- 11/32" Drill Bit #PK1132
- 10mm Drill Bit #PK10-10
- Epoxy - Mid cure glue
- Aussie or Mahoney's Oil

DIAGRAM A / PARTS LAYOUT



Preparing the Blank:

- Mark and punch the center over the ends of the blanks.
- Drill 11/32" hole 2-1/2" deep at one end



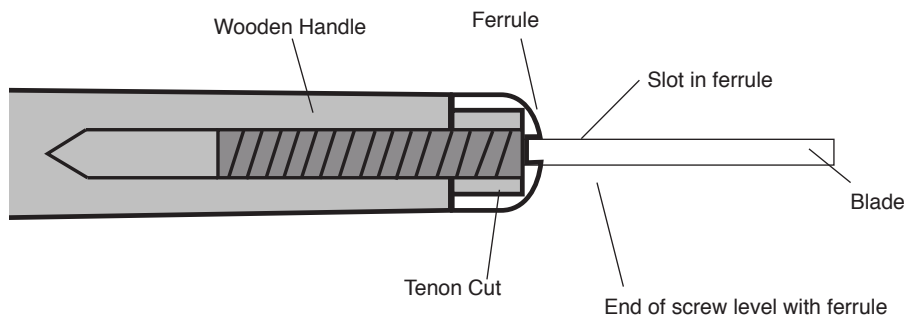
Turning the Blank

- Insert and mount the blank between a bottle stopper chuck and a live center.
- Turn the handle according to diagram c and diagram b.
- Sand and finish the wooden handle. Use either Aussie oil or Mahoney's oil to protect the wood.
- Remove handle. Rim the hole with a 10mm bit.

Assembly:

- Squeeze epoxy glue into both large diameter holes.
- Spread epoxy glue inside the ferrules.
- Slide each ferrule over the proper tenon with a twisting motion to spread the glue around.
- Insert the spatula threaded shaft into the hole and into the slot. Stop when the thread is concealed. See diagram D.

Diagram D: Ferrule Assembly



Installing Blade