

Professional Stainless Steel Peppermill Kit

PKGRIND706 • PKGRIND708 • PKGRIND710 • PKGRIND712

Kit Features:

- Traditional Styling
- Stainless Steel Components
- Adjustable Grind
- Available in 4 sizes

Required Accessories:

- 1-5/8" Forstner Bit #FB158
- 1-1/16" Forstner Bit #FB1-116
- 9" Forstner Bit Extension #FEX9
- 3 Jaw Drill Chuck (#TM32 series)
- HD Live Center (60°)
- 1" Jam Chuck #CJAM1
- 7mm Drill Bit #PK-7MM

Required Wood Blanks: (see Diagram A)

- Base Blank: 2-1/2" Min Square x (see below sizes)
Be sure both surfaces are cut to 90°
- Head Blank: 2-1/16" Long

Boring the Blanks: (see Diagram A)

Base:

- Mark the center on both ends of the blank. On one end drill a 1-5/8" dia. hole 1/2" deep.
- Follow with a 1-1/16" bit. Use the point of the previous hole as a guide. For better results, bore the hole from both ends of the blank but not necessary.

Head:

- Locate and mark the center of the blank. Bore a 7mm hole through the blank.

Kit Item #:	Mechanism Length:	Base Blank Sizes:
• #PKGRIND706:	6"	4-3/8"
• #PKGRIND708:	8"	6-3/8"
• #PKGRIND710:	10"	8-1/4"
• #PKGRIND712:	12"	10-1/2"



DIAGRAM A
BLANK DIMENSIONS & BORING

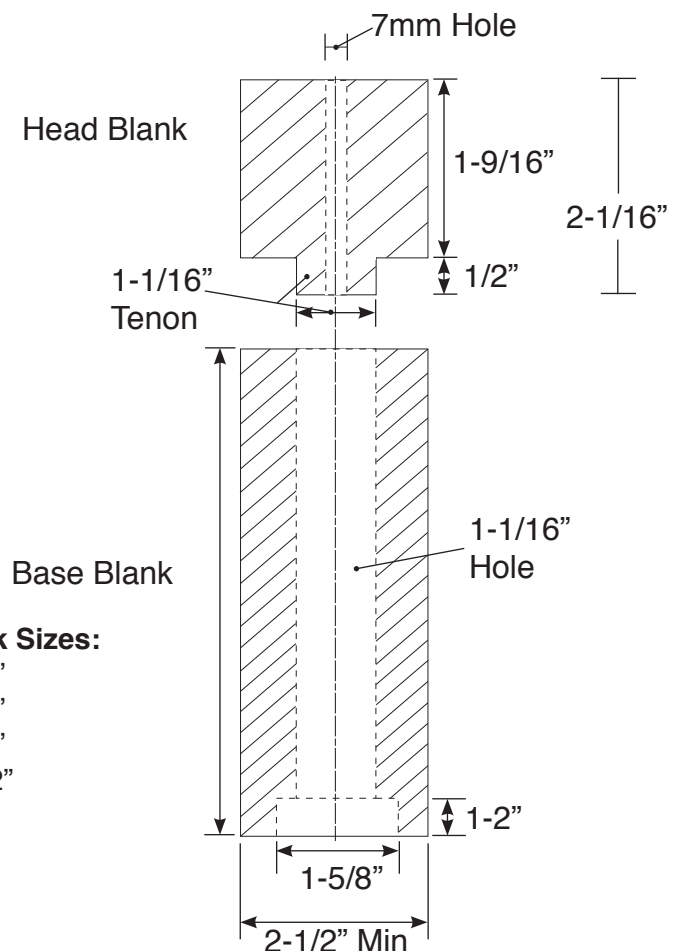
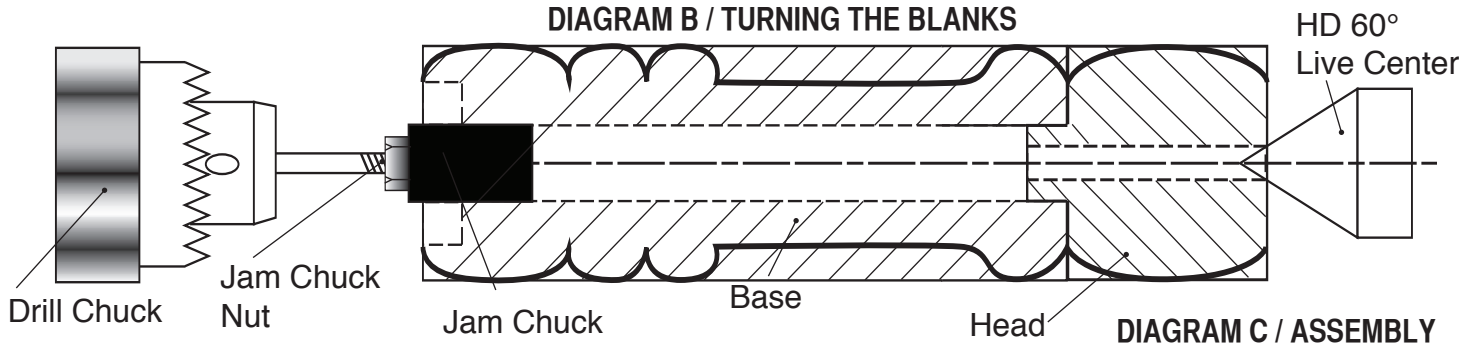


DIAGRAM B / TURNING THE BLANKS



Turning the Blanks

Head Blank:

- Mount the blank on the lathe between centers. Turn a tenon 1/2" deep 1-1/16" in diameter to fit into the hole in the base blank.

NOTE: Turn both ends at once

- Insert the tenon into the opening at the upper end of the base blank.
- Mount the 3 jaw drill chuck into the head stock of the lathe. Insert the jam chuck and lock into jaws.
- Mount the wood assembly, recessed end in first over the jam chuck.
- Bring the tail stock forward with the center into the hole. Lock in place.
- Use a wrench to tighten the nut to expand the jam chuck in the hole.
- Tighten and make sure it is safe to turn. (You may choose to turn, sand & polish each separately).
- Turn the wood blanks to a profile of your choice. Sand and finish the wood. Use a food safe polish.

Assembly

- Layout parts according to diagram C.
- Mount the drive disc on the head with 2 screws.
- Insert the grinder support in the bottom of the base.
- Place the drive shaft with grinder housing and grinder up through the base.
- Secure with grinder retainer and 2 mounting screws.
- Loosen the grinder knob for a courser grind.

DIAGRAM C / ASSEMBLY

